

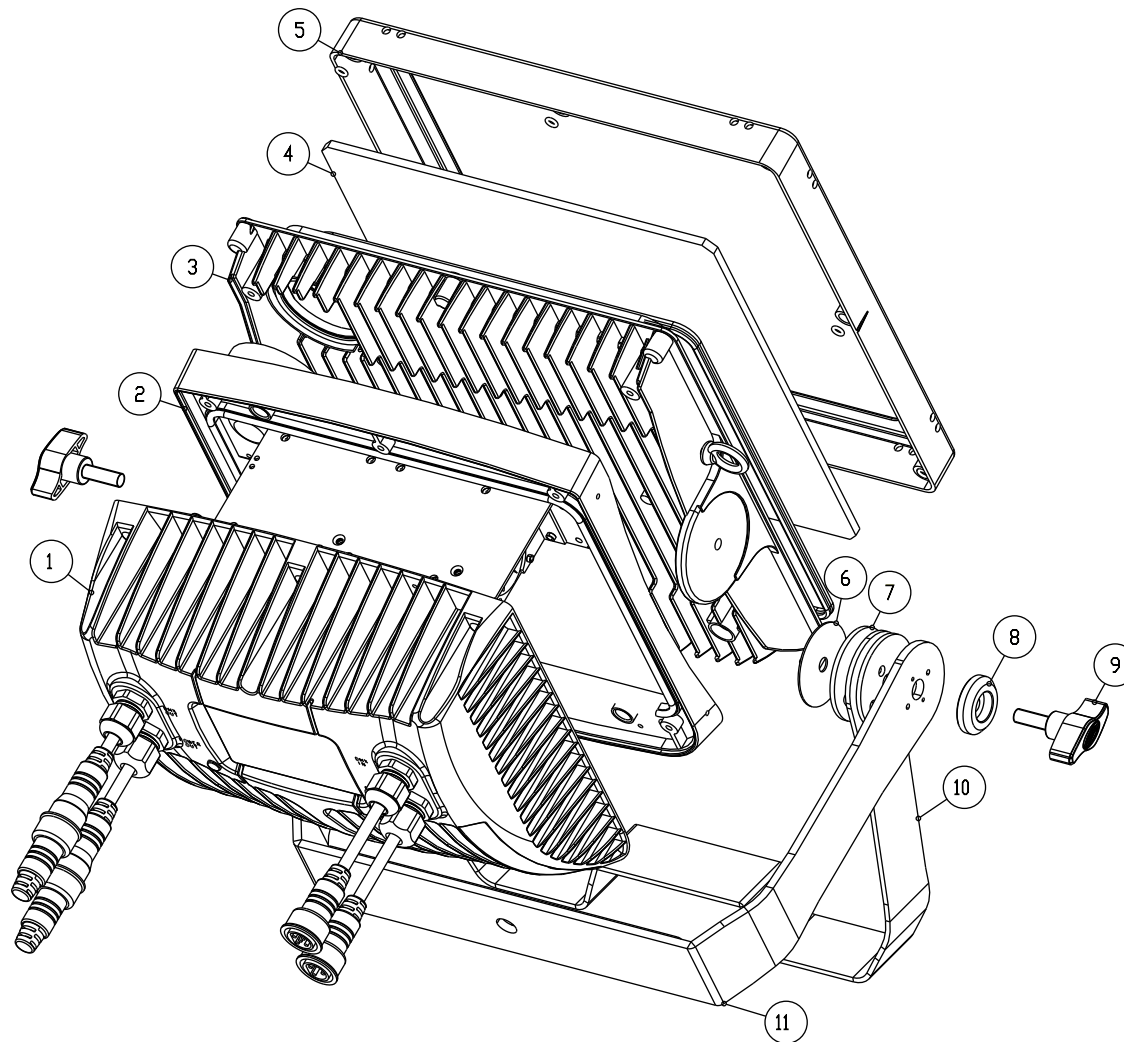
# Service manual

## ELAR 216 PANEL DW

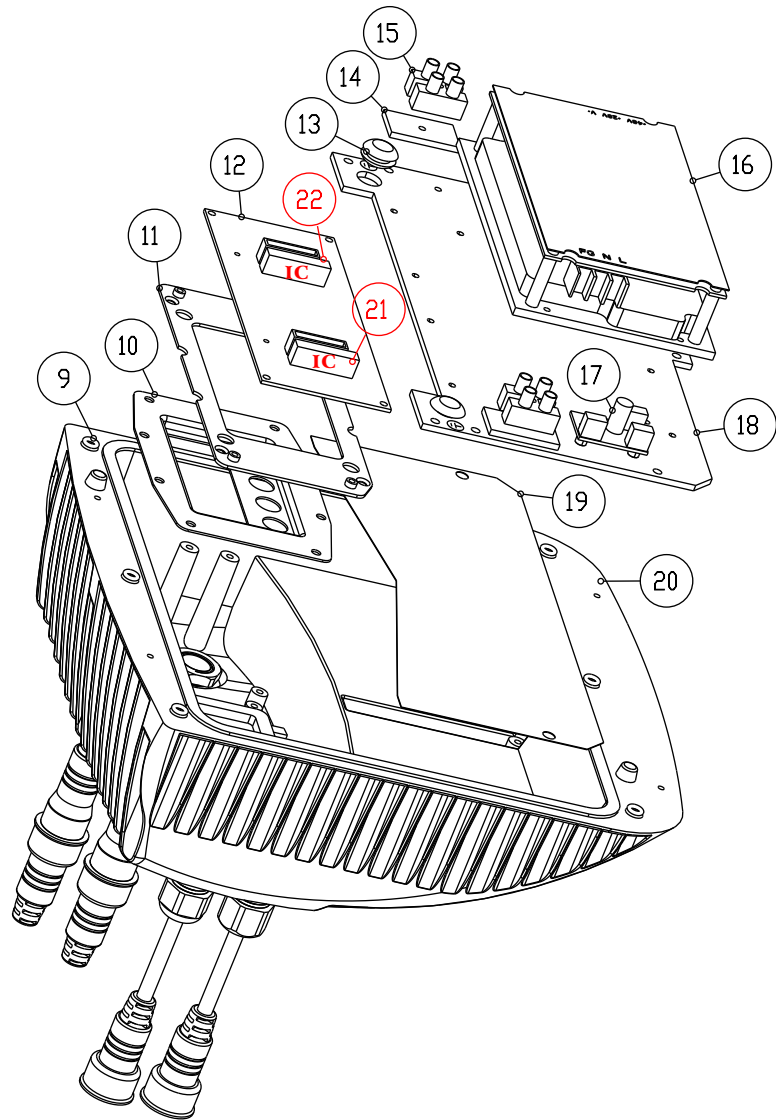
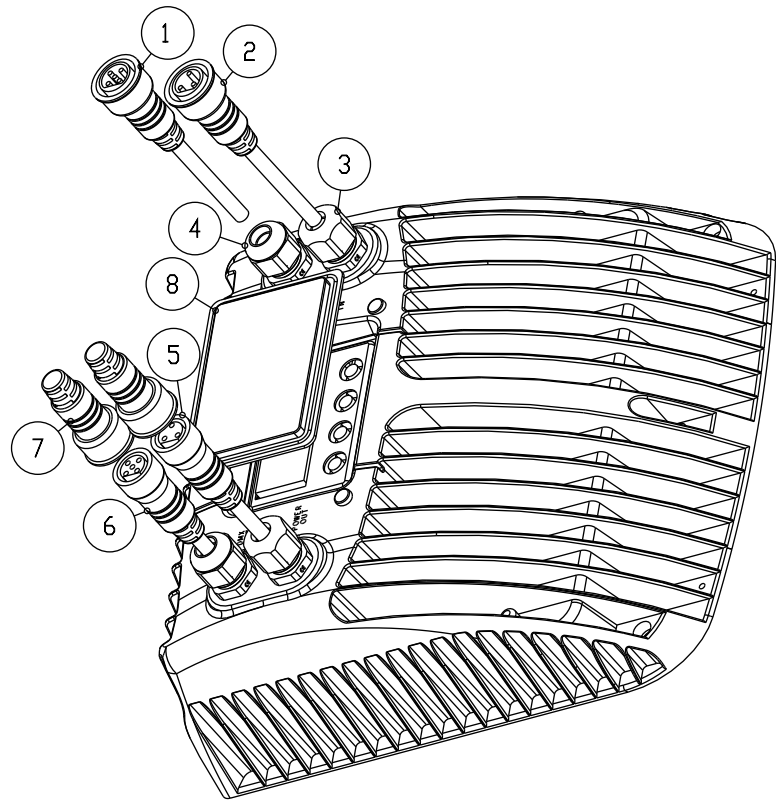
- ✘ **Exploded Diagrams**
- ✘ **Circuit Diagrams**
- ✘ **Wiring Diagrams**
- ✘ **Parts List**



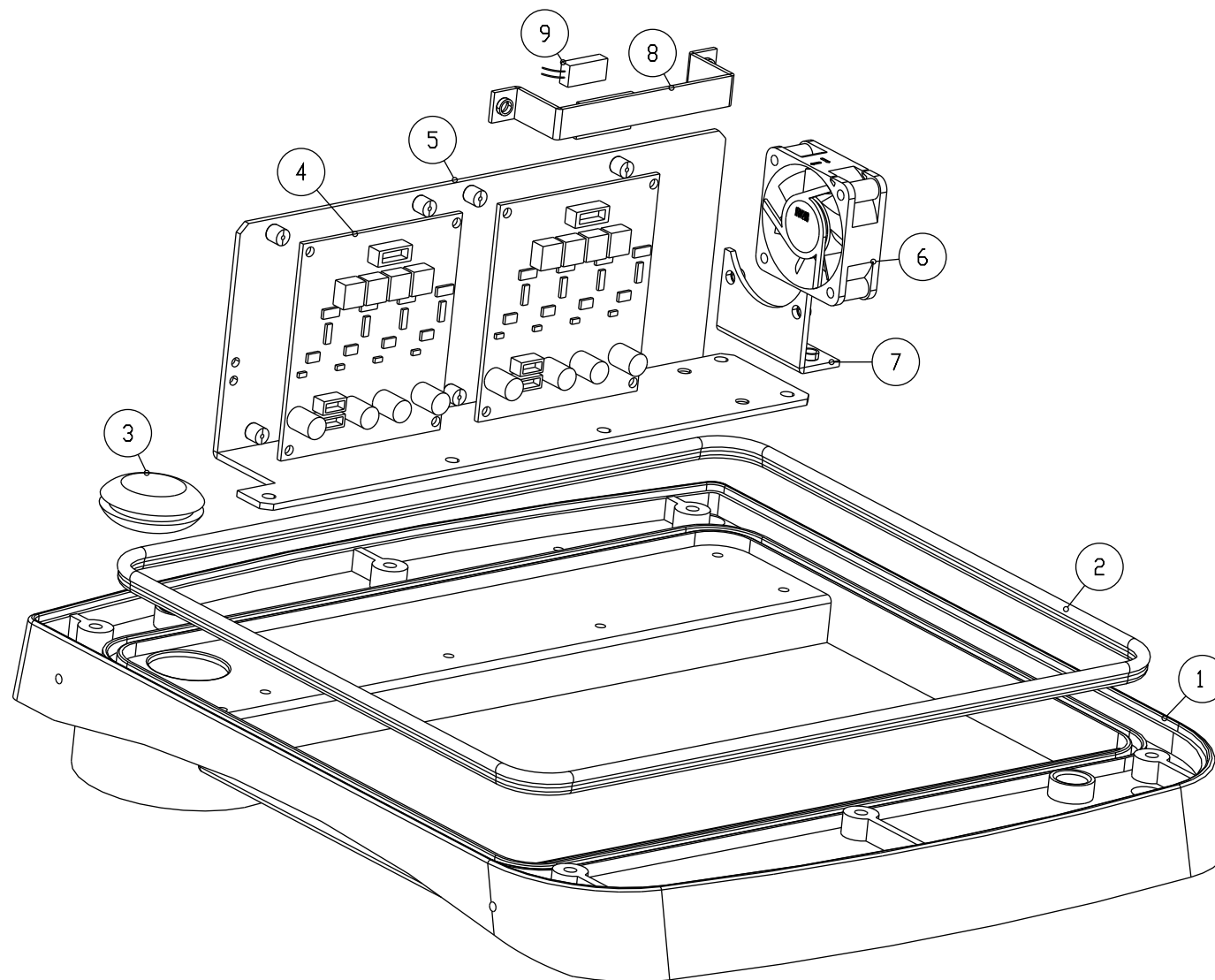
<b>PRODUCT</b>		<b>ELAR 216 PANEL DW</b>		
<b>PIC. NO.</b>		<b>Front Page</b>	Series NO.	1113001-1113030
EDIT		FILE NO.	HY-EXP-894A	
CHECK		ORDER NO.	SO20100610/EAR607	
APPROVE		VERSION	NR	SOFTWARE VER. V1.0



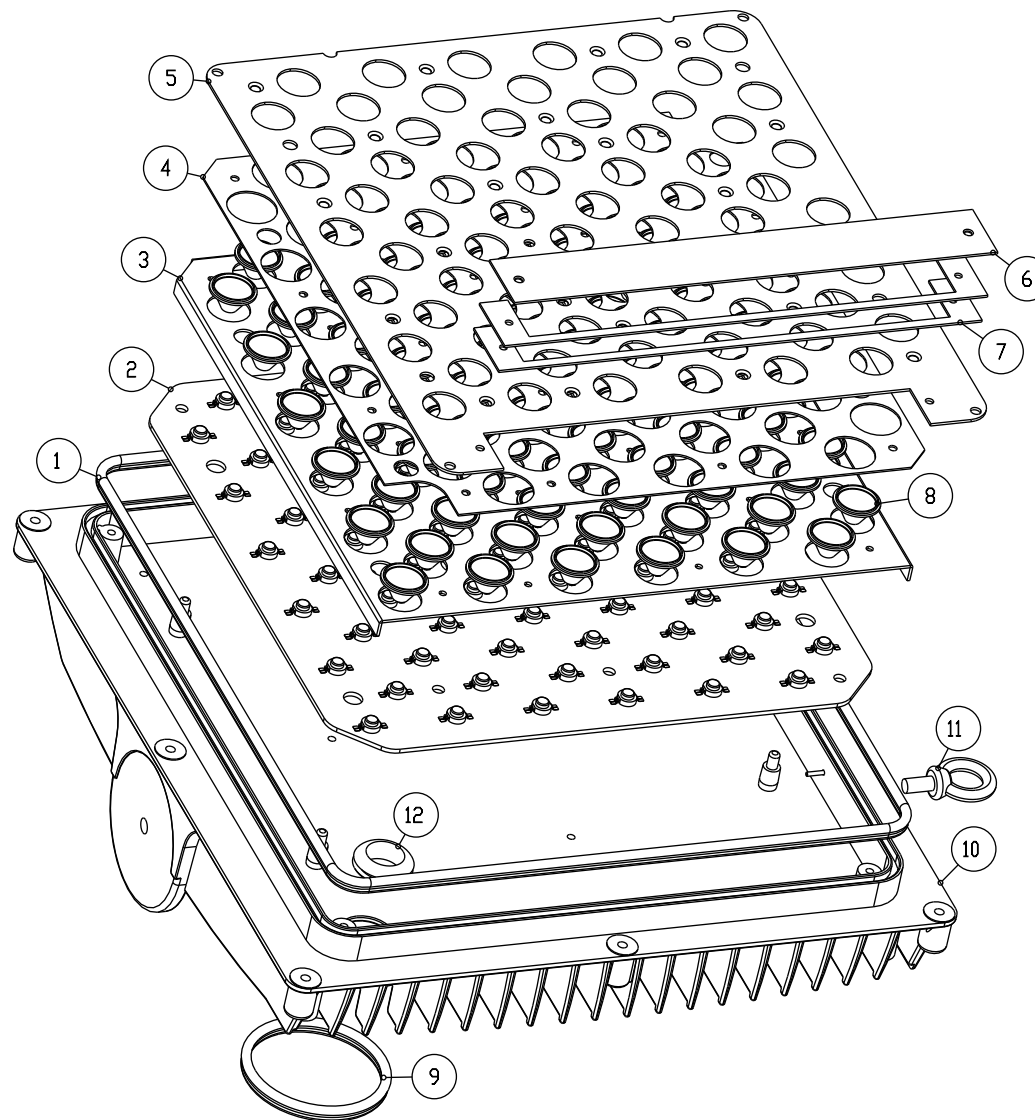
PRODUCT		<b>ELAR 216 PANEL DW</b>			
PIC. NO.		10-0151-00-00-00			
EDIT		FILE NO.	HY-EXP-894A	PAGE NO.	1/9
CHECK		VERSION	NR	DATE	2011.05.09
APPROVE		ECN NO.		DATE	



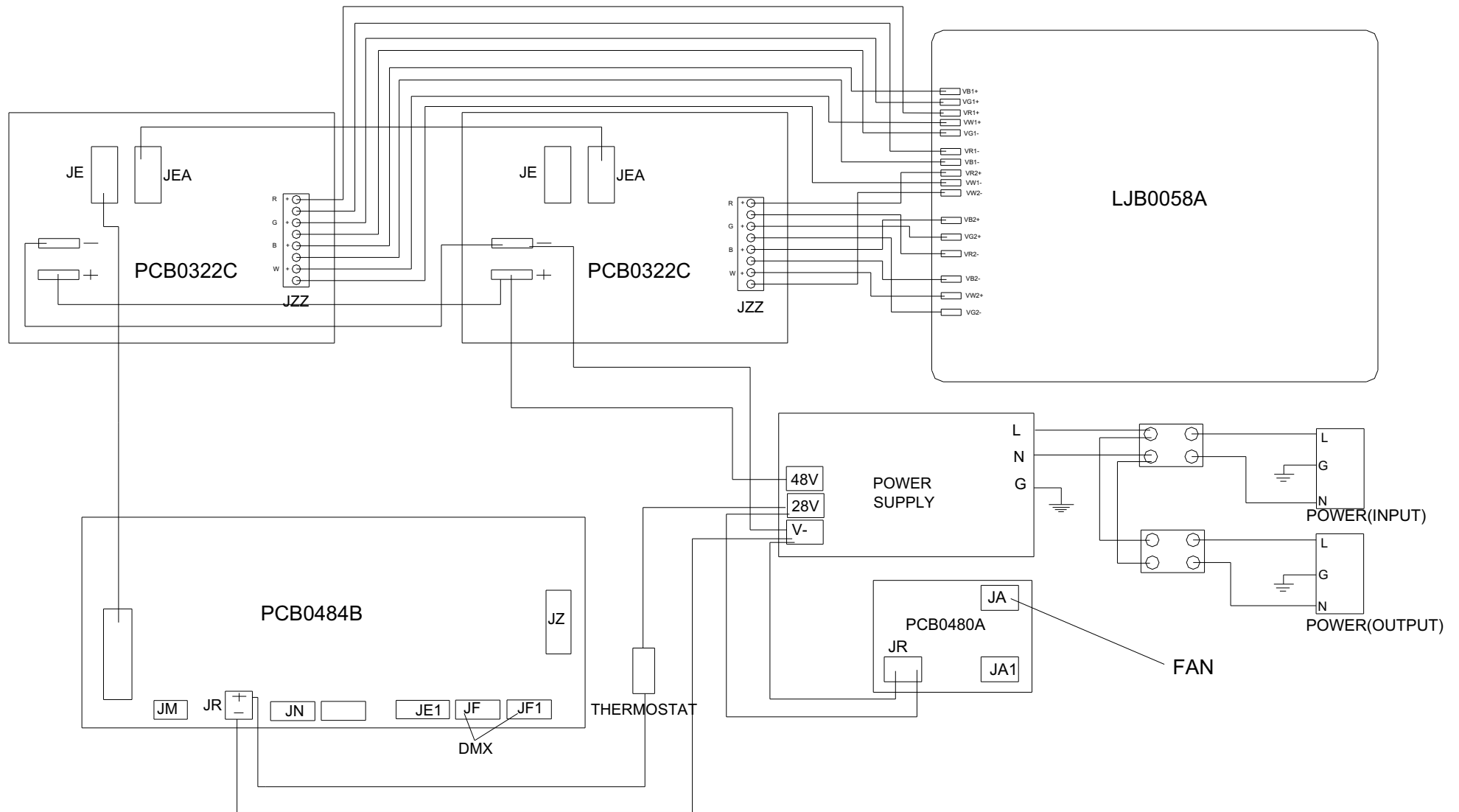
PRODUCT		<b>ELAR 216 PANEL DW</b>			
PIC. NO.		10-0151-01-00-00			
EDIT		FILE NO.	HY-EXP-894A	PAGE NO.	2/9
CHECK		VERSION	NR	DATE	2011.05.09
APPROVE		ECN NO.		DATE	



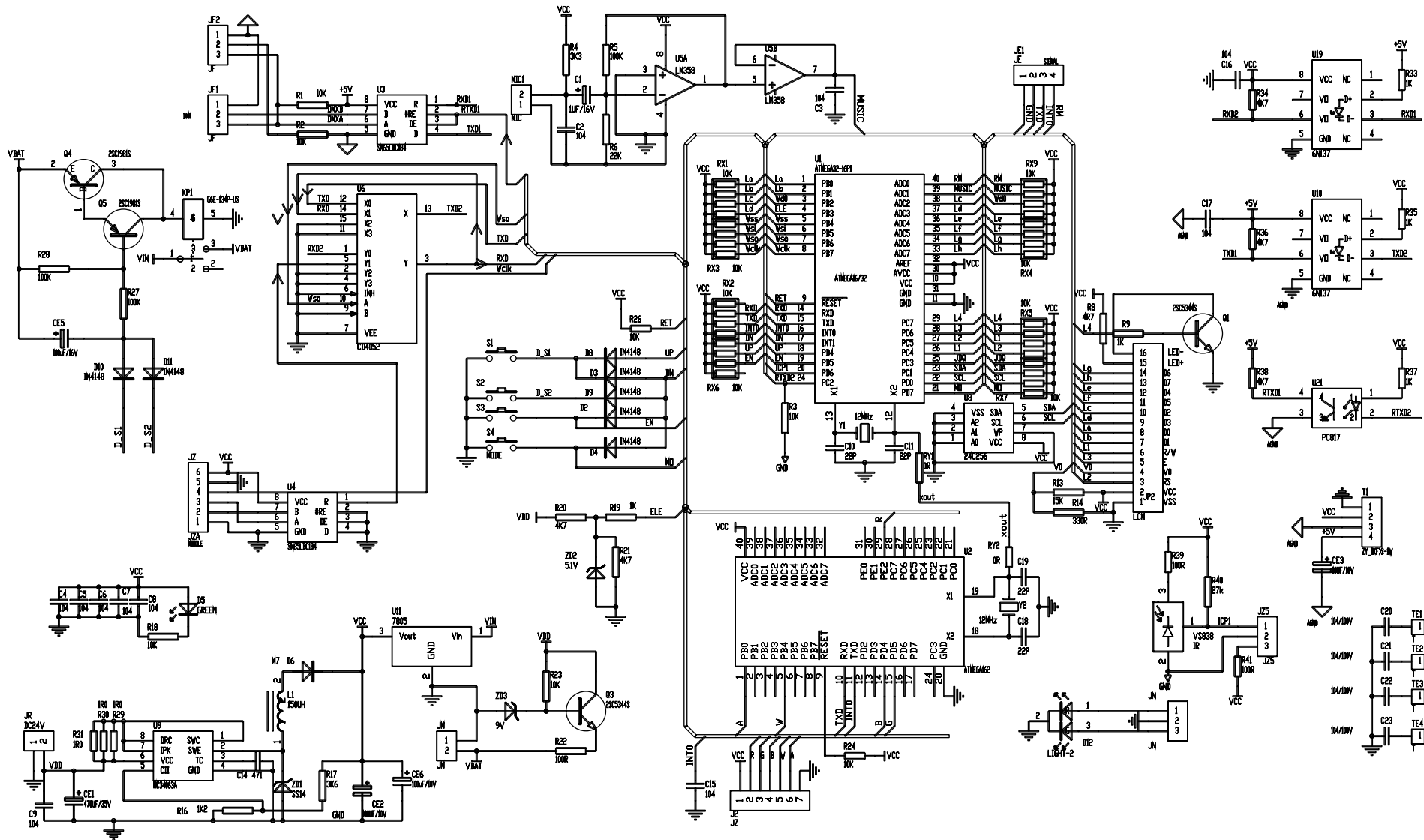
PRODUCT		<b>ELAR 216 PANEL DW</b>			
PIC. NO.		10-0151-02-00-00			
EDIT		FILE NO.	HY-EXP-894A	PAGE NO.	3/9
CHECK		VERSION	NR	DATE	2011.05.09
APPROVE		ECN NO.		DATE	



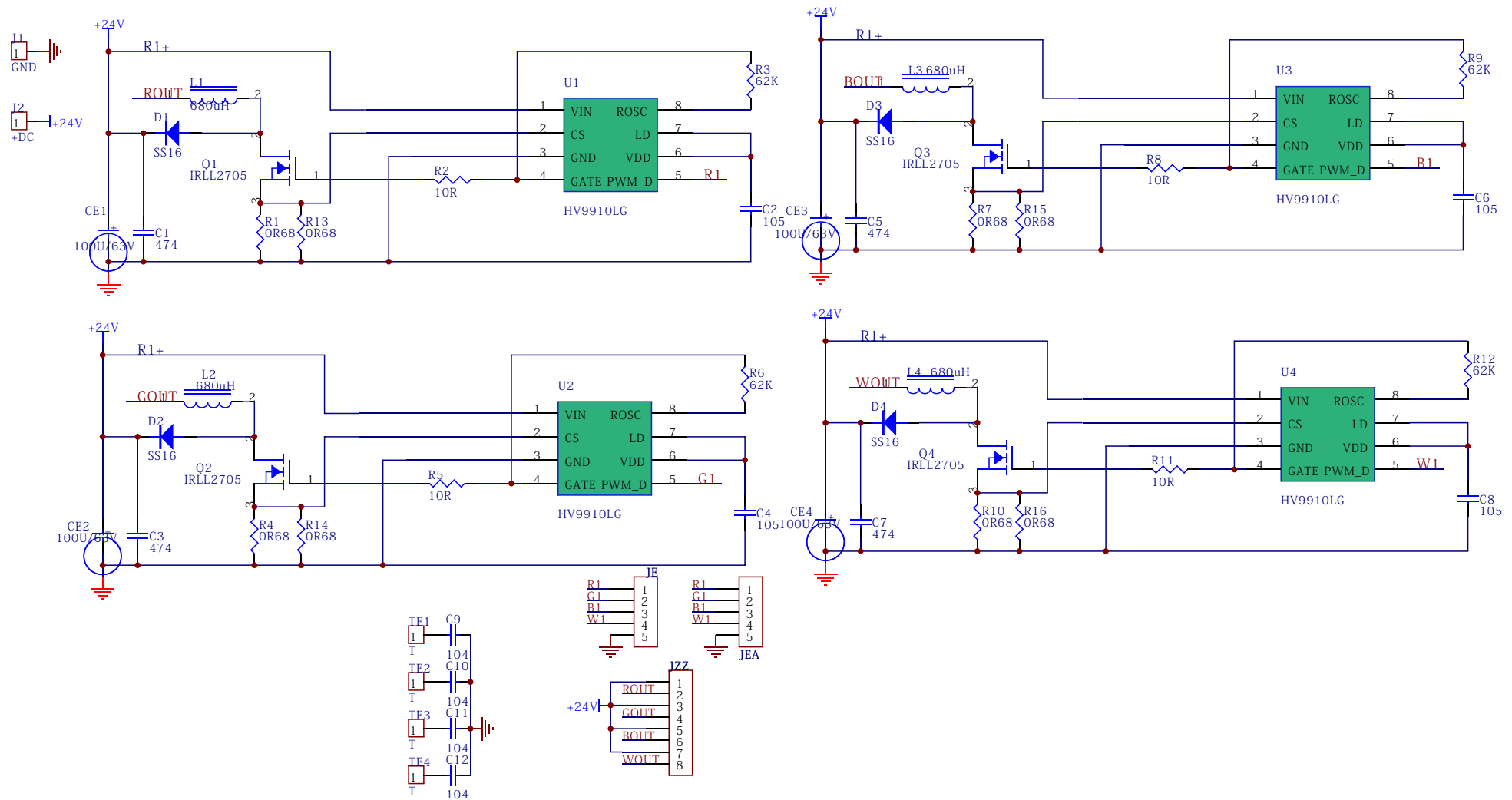
PRODUCT		<b>ELAR 216 PANEL DW</b>			
PIC. NO.		10-0151-03-00-00			
EDIT		FILE NO.	HY-EXP-894A	PAGE NO.	4/9
CHECK		VERSION	NR	DATE	2011.05.09
APPROVE		ECN NO.		DATE	



PRODUCT		<b>ELAR 216 PANEL DW</b>			
PIC. NO.		ELAR 216 PANEL DW ELECTRIC			
EDIT		FILE NO.	HY-WIJL-G066	PAGE NO.	5/9
CHECK		VERSION	NR	DATE	2011.05.09
APPROVE		ECN NO.		DATE	

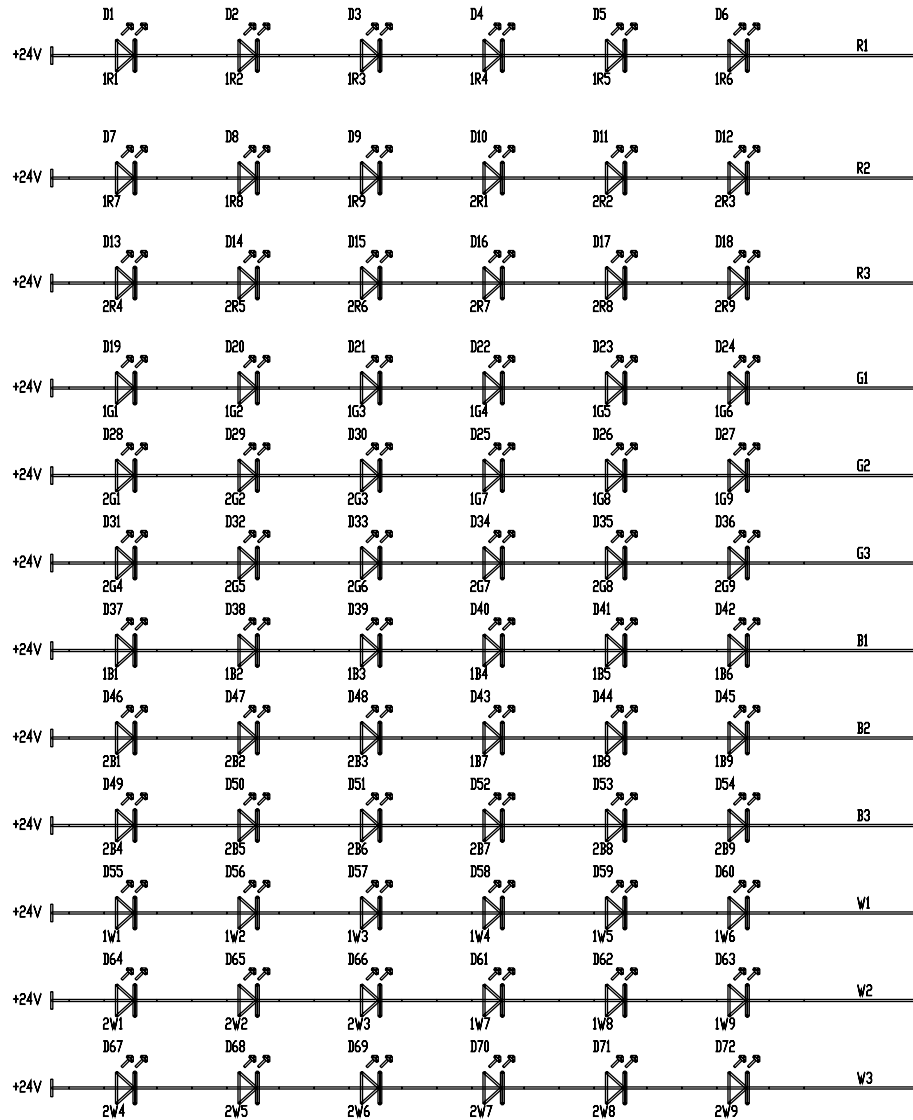
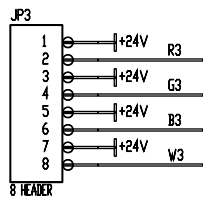
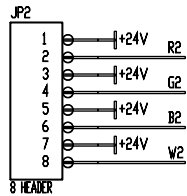
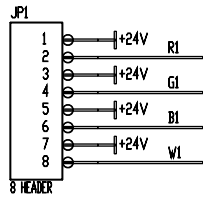


PRODUCT		ELAR 216 PANEL DW			
PIC. NO.		PCB0484B SCHEME			
EDIT		FILE NO.	HY-WIEC-0639	PAGE NO.	6/9
CHECK		VERSION	NR	DATE	2011.05.09
APPROVE		ECN NO.		DATE	

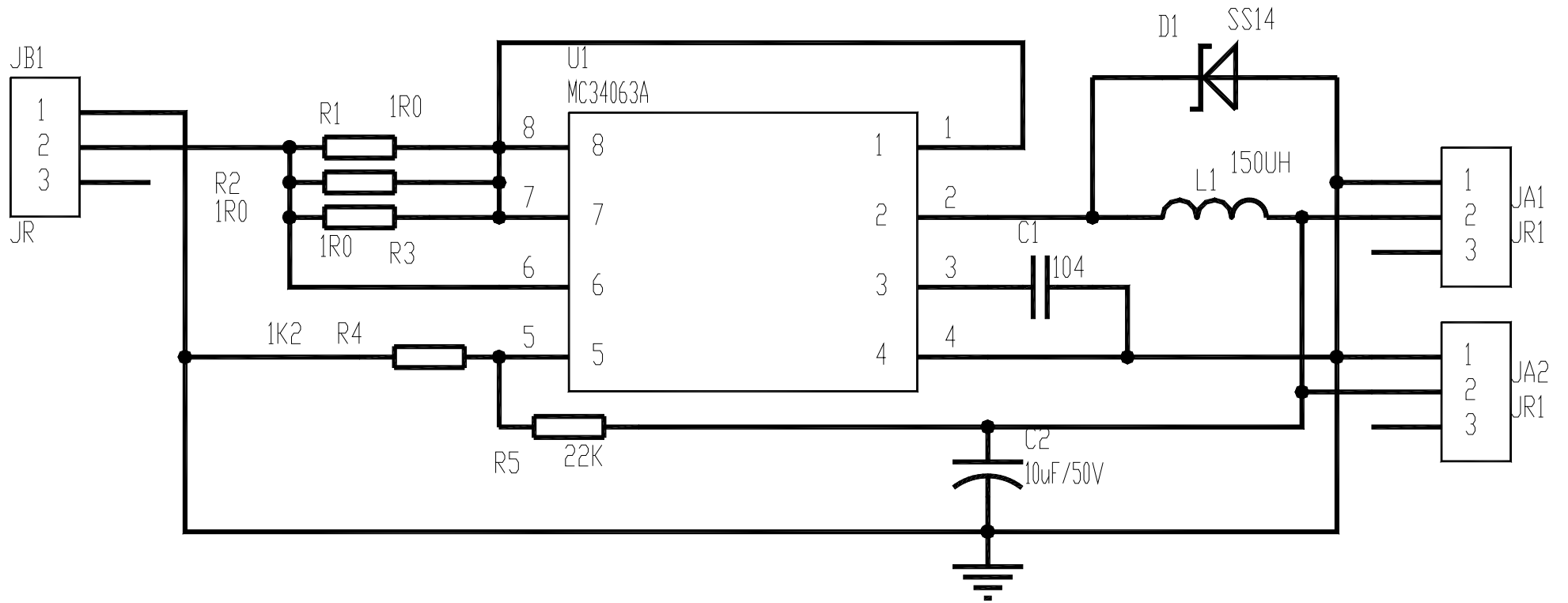


PRODUCT		ELAR 216 PANEL DW			
PIC. NO.		PCB0322C SCHEME			
EDIT		FILE NO.	HY-WIEC-0511	PAGE NO.	7/9
CHECK		VERSION	NR	DATE	2011.05.09
APPROVE		ECN NO.		DATE	





PRODUCT		ELAR 216 PANEL DW			
PIC. NO.		LJB0058A SCHEME			
EDIT		FILE NO.	HY-WIEC-0491	PAGE NO.	8/9
CHECK		VERSION	NR	DATE	2011.05.09
APPROVE		ECN NO.		DATE	



PRODUCT		ELAR 216 PANEL DW			
PIC. NO.		PCB0480A SCHEME			
EDIT		FILE NO.	HY-WIEC-0586	PAGE NO.	9/9
CHECK		VERSION	NR	DATE	2011.05.09
APPROVE		ECN NO.		DATE	